



CUSTOM KIOSK DESIGN

UNPARALLELED ENGINEERING EXPERTISE

FOR CUSTOM KIOSK SOLUTIONS

KIOSK INFORMATION SYSTEMS CUSTOM KIOSK DESIGN
CALL TOLL FREE: 1.800.509.5471 OR VISIT US ONLINE AT WWW.KIOSK.COM

BEYOND THE GREY BOX...

Executing sophisticated self-service concepts is KIOSK's undisputed industry "sweet spot." In fact, the more complex the design, the quicker the market turns to KIOSK's niche custom engineering experience. Our proprietary design process has been fine-tuned by literally thousands of custom deployments - representing over half of the 100,000 KIOSK solutions in the field.

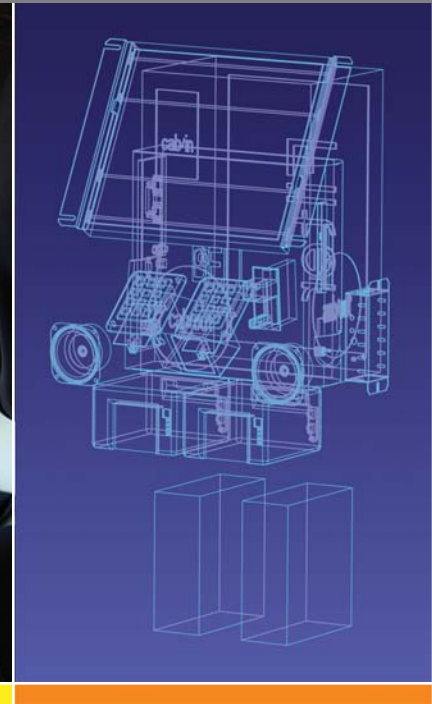
Leveraging KIOSK's design process expertise ensures clients of program simplicity and rapid first-pass design success, without sacrificing on creativity. From small standard model component tweaks, to the most sophisticated self-service component integration - KIOSK will cut the cleanest path to overall program success.

OVERVIEW OF KIOSK'S CUSTOM DESIGN APPROACH:

Covering over 70 key project points, this ISO9001:2000 Certified Engineering Process Document enables customer design considerations to take shape from a fully defined project framework.

The main elements of this initial phase of custom design definition include:

- **Project overview**
- **Kiosk component requirements**
- **Enclosure design criteria**
 - Materials
 - Functionality
 - Ergonomics
 - Security
 - Artwork
 - Shipping
 - Installation
 - Serviceability
 - Miscellaneous



DESIGN CRITERIA CONCEPTION

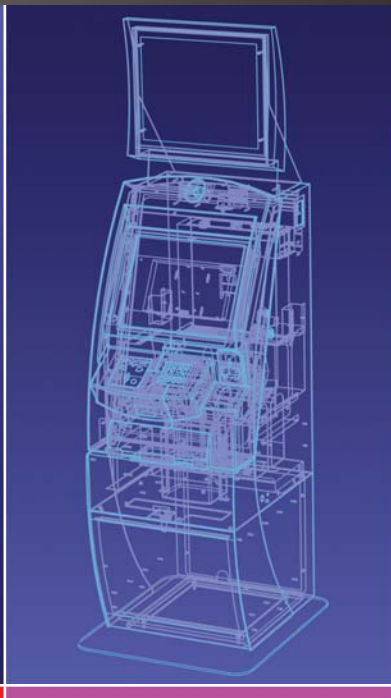
COMPONENT EVALUATION & MODELING

Initial client consultations are guided by KIOSK's proprietary Engineering Process Document to methodically create the initial design criteria for all aspects of the kiosk. This comprehensive criteria set includes the target manufacturing budget, project schedule, component requirements, installation, and expandability, among other aspects of the design.

This definition phase results in the Design Criteria Document that guides project members during the development process. This is a continuously evolving tool that KIOSK uses to anticipate all design issues up front, and leverages the design nuances / experience gained on thousands of prior designs.

KIOSK then procures required electronic components identified under the Design Criteria Document, bench testing each component with customer-specific software, ensuring full compatibility. Clients review the component specifications and document approval.

Next, KIOSK begins initial component layout modeling to include in the overall enclosure options.



INDUSTRIAL DESIGN & RENDERINGS



MECHANICAL DESIGN & REVIEW



AGENCY CERTIFICATION / PROTOTYPE BUILD



INSTALLATION & DEPLOYMENT

Following approval of the component set, KIOSK develops initial renderings and mechanical drawings to prove correct component placement and jointly create the client's desired overall equipment aesthetics. This is an iterative and interactive process where KIOSK's Industrial and Mechanical Engineering team work closely with the customer's design and project team members. Multiple creative options are presented that are consistently designed for manufacturability, and engineered for easy service / peak reliability.

KIOSK advances the design to a complete set of mechanical drawings and computer generated renderings. A subsequent design review of the engineering drawings results in a checklist of changes. As needed, KIOSK revises the drawings and generates renderings with optimally arranged and modeled components for customer feedback / approval on concept and mechanical drawings. Any modifications are closed to customer guidelines, resulting in a finalized and signed design.

Post design review, KIOSK does a "dry fit" test - assembling all prototype components into the enclosure. Upon approval; paint, artwork, and final assembly are completed for first article production. An extensive in-house prototype fabrication area enables KIOSK to execute custom prototype delivery in just six to eight weeks from design approval.

During prototype manufacturing, parallel progress is made on submitting all necessary UL, FCC and other required agency approval documents. This simultaneous activity on agency approvals enables UL certification to occur at the same time as prototype completion, *significantly* accelerating time to market.

Following prototype delivery, KIOSK has 65,000 square feet of dedicated manufacturing capacity poised to facilitate the steepest of production ramps. KIOSK's manufacturing model can accommodate a wide volume spectrum - from very small production runs, up to thousands of units per week. Both ends of the volume continuum are treated with equal care and expert attention.

Turnkey site survey, site preparation, and installation services are readily available.

To get started with a personal consultation on custom kiosk design, or to request a quote please contact the KIOSK Sales Team: 1.800.509.5471 or email sales@kiosk.com.

KIOSK QUICK INFO

- **Founded in 1993 and headquartered in Louisville, Colorado, KIOSK Information Systems designs, manufactures, delivers and supports self-service kiosks.**
- **KIOSK is the largest producer of kiosks in North America.**
- **KIOSK provides design and manufacturing of both custom and standard model kiosks with successful deployments in virtually every self-service vertical market.**



To view a full portfolio of KIOSK's custom design work, please visit www.kiosk.com - Custom Gallery.



ADDRESS: 346 SOUTH ARTHUR AVENUE • LOUISVILLE, CO 80027
PHONE: 303.466.5471 • TOLL-FREE: **1.800.509.5471**
FAX: 303.466.6730 • EMAIL: SALES@KIOSK.COM • WEB: **WWW.KIOSK.COM**